

版次	ECN 编码	描述		设计/日期
1	EL24050073	初版发行		江蒙_2024/05/29
		改前	改后	

Emitting Color	λp (nm)	Vf@If=20mA	Ir @Vr=5V
Green	570	1.7V~2.6V	10uA max
Orange	610	1.7V~2.6V	10uA max



TOLERANCE TABLE	
X. ± 0.30	X.° ± 3°
.X ± 0.25	.X° ± 2°
.XX ± 0.20	

SCALE	2.5:1	DRAWN	江蒙	DATE	2024/05/29
UNIT	mm	CHECK	李晨涛	DATE	2024/05/29
SIZE	A4	APPROVE	朱宁静	DATE	2024/05/29

DWG. NO.	600-0000-2456	TITLE	RJ45 IMC, 2.5G BASE-T, W/LED	REV.	1
PARTS NO. (INTENDED USE)	JAADAXXGDXH	TITLE	CUSTOMER DRAWING	SHEET	1/6

SPECIFICATIONS;

1.MATERIAL

- HOUSING:THERMOPLASTIC,UL 94V-0 , PA6T , BLACK,HSF
- MODULE CASE : HIGH TEMPERATURE THERMOPLASTIC, UL 94V-0, BLACK HSF
- COVER : HIGH TEMPERATURE THERMOPLASTIC,UL 94V-0,BLACK,HSF
- RJ CONTACTS :PHOSPHOR BRONZE
- PLATING :SELECTIVE GOLD ON CONTACT AREA
100u" MIN TIN PLATING ON SOLDER TAILS, 30 u" MIN NICKEL OVERALL
- SOLDER TAIL TERMINAL :BRASS , C2680R-EH
- PLATING:100u" MIN TIN,30u" MIN NICKEL OVERALL
- SHIELD:STAINLESS , THICKNESS-0.2mm , PRE-SOLDERING

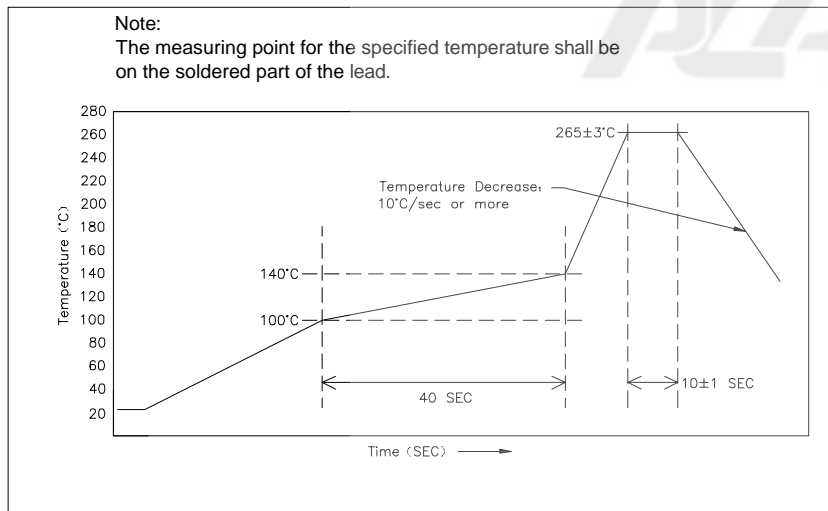
2.RJ45 SPECIFICATIONS

- INSULATION RESISTANCE :500 MOHMS MIN
- INSERTION FORCE WITH THE LATCH DEPRESSED :22N MAX
- REMOVAL FORCE WITH THE LATCH DEPRESSED :44N MAX
- DURABILITY :750CYCLES

3.OPERATING AND STORAGE TEMPERATURE

- OPERATING TEMPERATURE :0°C TO +70°C
- STORAGE TEMPERATURE :40°C TO +85°C

4.TEMPERATURE CONDITION OF WAVE SOLDERING:



ELECIRICAL CHARACIERISICS:

1.INSERTICN LOSS :

- 1~125MHz -1.0dB Max.

2.RETURN LOSS(LOAD 100Ω):

- 1~40 MHz -20dB IN
- 40~200 MHz -20+15*log(Fre9 MHz/40MHz)dB MIN

3.REFLECTED CM TO DIFF CONVERSION(REF)

- 10~125 MHz -45+Freg MHz/35MHz dB MIN

4. CM TO CM ATTENUATION(REF)

- 30~200MHz -30dB MIN

5.CRO5S TALK(REF)

- 1~125MHz -30dB MIN

6.OCL @ 100KHz , 0.1V,8mA DC BIAS

- (P1-P2),(P3-P4),(P7-P8),(P-P10):150 uH MIN

7.DCR

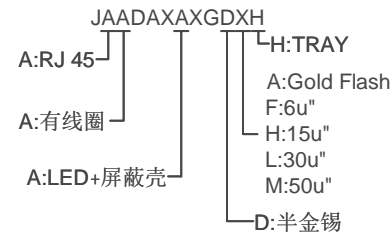
- (J1-J2),(J3-J6),(J4-J5),(J7-J8):1.2Ω MAX

8.HI-POT TEST

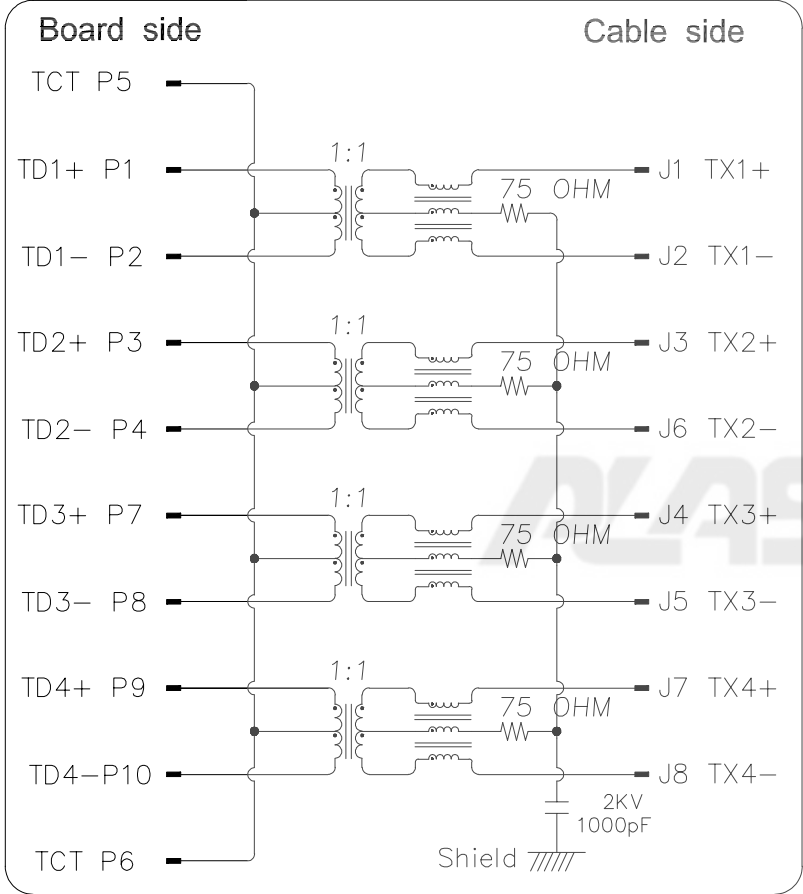
- PCB SIDE TO CABLE SIDE :
- 1500VAC 60S OR 2250VDC 60S

9.TURNS RATION100KHz

- (P1-P2):(J1-J2)=1:1±%5
- (P3-P4):(J3-J6)=1:1±%5
- (P7-P8):(J4-J5)=1:1±%5
- (P9-P10):(J7-J8)=1:1±%5



TOLERANCE TABLE	SCALE	1:1	DRAWN	江蒙	DATE	2024/05/29	DWG. NO.	600-0000-2456	TITLE	RJ45 IMC,2.5G BASE-T, W/LED CUSTOMER DRAWING	REV.	1
	X. ± 0.30	X.° ± 3°	CHECK	李晨涛	DATE	2024/05/29					PARTS NO.(INTENDED USE)	SHEET
	.X ± 0.25	.X° ± 2°	SIZE	朱宁静	DATE	2024/05/29	JAADAXAXGDXH					
	.XX ± 0.20											

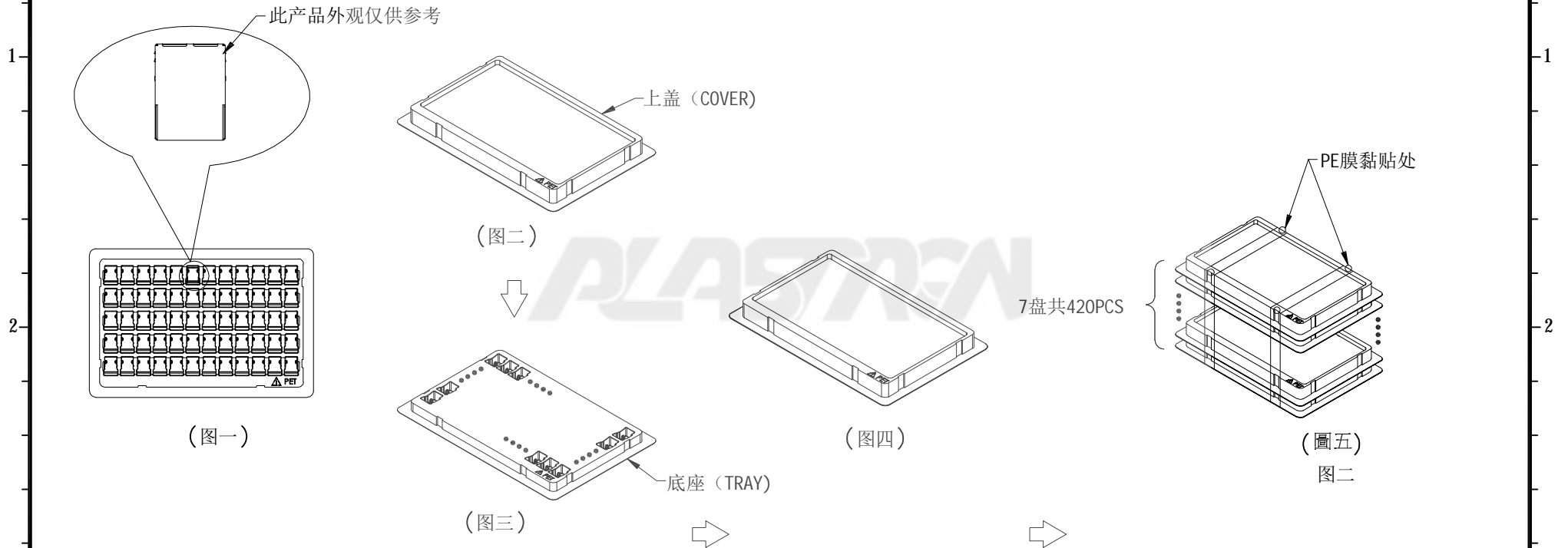


	TOLERANCE TABLE		SCALE	1:1	DRAWN	江蒙	DATE	2024/05/29	DWG. NO.	600-0000-2456	TITLE	RJ45 IMC, 2.5G BASE-T, W/LED CUSTOMER DRAWING	REV.	1
	X. ± 0.30	X.° ± 3°	UNIT	mm	CHECK	李晨涛	DATE	2024/05/29					PARTS NO. (INTENDED USE)	JAADAXXGDXH
	.X ± 0.25	.X° ± 2°	SIZE	A4	APPROVE	朱宁静	DATE	2024/05/29						
	.XX ± 0.20													

A B C D E

1-1将成品按其外观形状放入底座对应的凹槽中，产品顶面朝上（如图示一所示）。
1-2每盘TRAY，放满60PCS成品，不可少放或错放。

2-1将底座装满成品，然后盖上上盖（如图示二、三所示），
2-1相叠至7盘共420PCS（如图示五所示），最后在宽度方向用PE膜粘整圈。



TOLERANCE TABLE	SCALE	1:1	DRAWN	江蒙	DATE	2024/05/29	DWG. NO. 600-0000-2456	TITLE RJ45 IMC,2.5G BASE-T, W/LED CUSTOMER DRAWING	REV.	1
	X. ± 0.30	X.° ± 3°	CHECK	李晨涛	DATE	2024/05/29			PARTS NO.(INTENDED USE) JAADAXXGDXH	SHEET
	.X ± 0.25	.X° ± 2°	UNIT mm	APPROVE	朱宁静	DATE	2024/05/29			
	.XX ± 0.20							SIZE	A4	

A

B

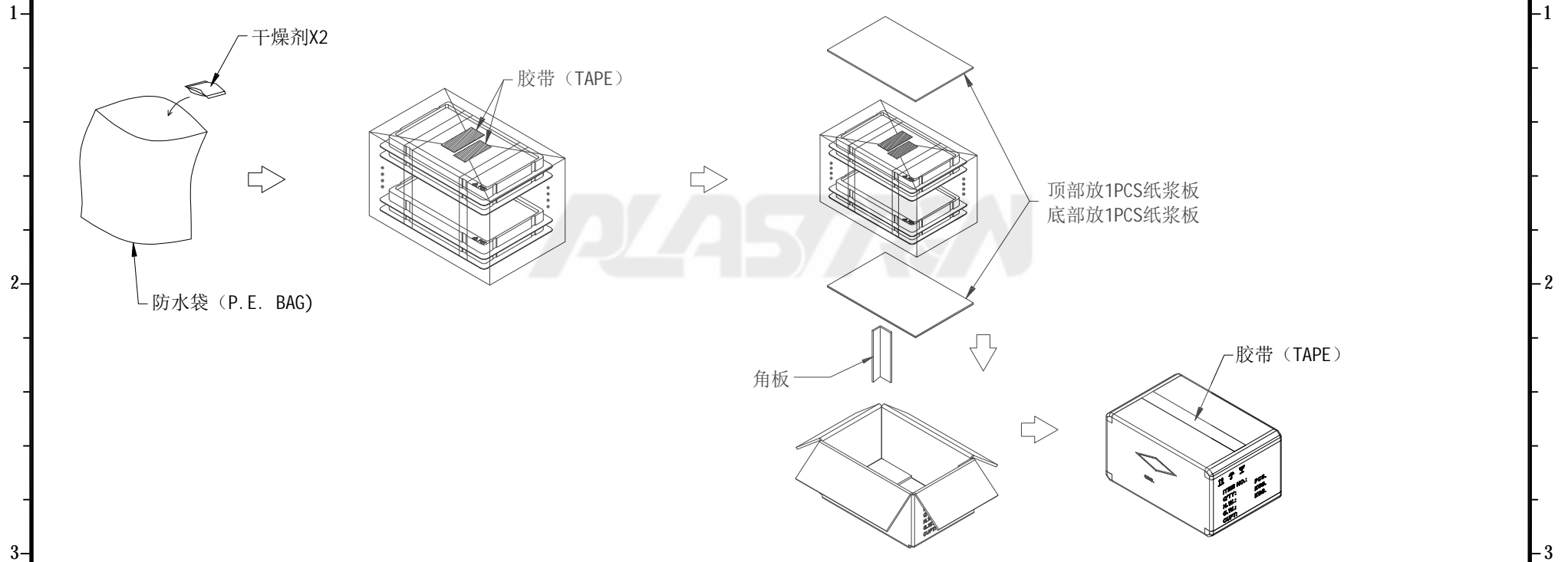
C

D

E

3-1先放置两包干燥剂于防水袋底部。
 3-2将完成步骤2，相叠平置于一个防水袋。
 3-3将防水袋整齐折合后，热封胶带，然后折叠好。

4.1先放入1PCS纸浆板于内箱底部，将完成步骤3-3之防水袋置入于内箱中。
 4-2于四角各置入1PCS角板，再置入1PCS纸浆板于TRAY顶部。
 4-3以胶带封合，并贴上成品包装标签。



TOLERANCE TABLE	SCALE 1:1		DRAWN	江蒙	DATE	2024/05/29	DWG. NO. 600-0000-2456	TITLE RJ45 IMC,2.5G BASE-T, W/LED CUSTOMER DRAWING	REV.	1
	X. ± 0.30	X.° ± 3°	CHECK	李晨涛	DATE	2024/05/29			PARTS NO.(INTENDED USE) JAADAXAXGDHX	SHEET
	.X ± 0.25	.X° ± 2°	SIZE	朱宁静	DATE	2024/05/29				
	.XX ± 0.20		A4							

A

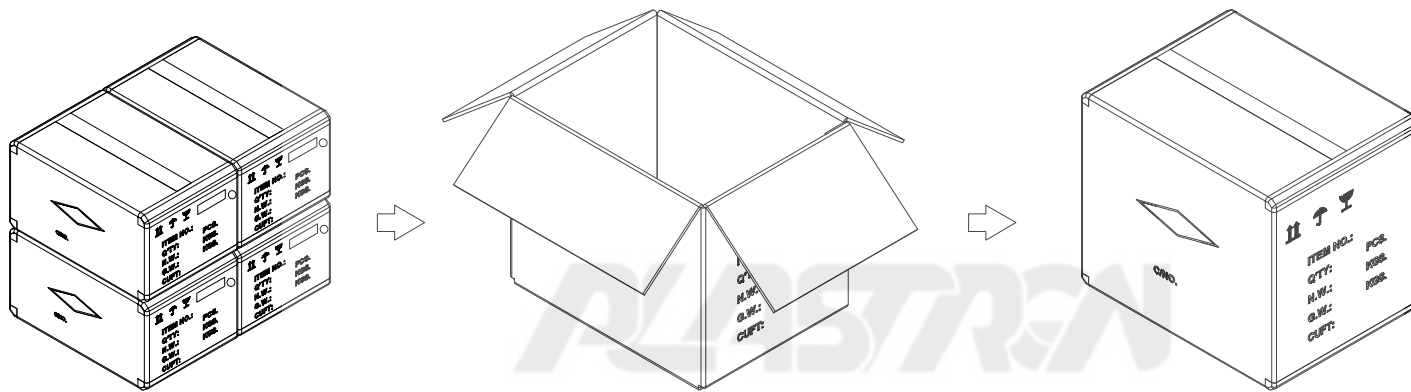
B

C

D

E

5-1把四个内箱装入一外箱中。
5-2用胶带将外箱封合，并标示料号，数量及包装日期。



外箱尺寸=L: 535mm, W: 390mm, H: 452mm
内箱尺寸=L: 375mm, W: 253mm, H: 205mm

产品料号 (Product No.)	包装数量(Packing Quantity)		
	PCS/TRAY	PCS/内箱	PCS/外箱
JAADAXXGDXH	60	420	1680

	TOLERANCE TABLE		SCALE 1:1	DRAWN 江蒙	DATE 2024/05/29	DWG. NO. 600-0000-2456	TITLE RJ45 IMC,2.5G BASE-T, W/LED CUSTOMER DRAWING	REV. 1
	X. ± 0.30	X.° ± 3°	UNIT mm	CHECK 李晨涛	DATE 2024/05/29			PARTS NO.(INTENDED USE) JAADAXXGDXH
	.X ± 0.25	.X° ± 2°	SIZE A4	APPROVE 朱宁静	DATE 2024/05/29			
	.XX ± 0.20							