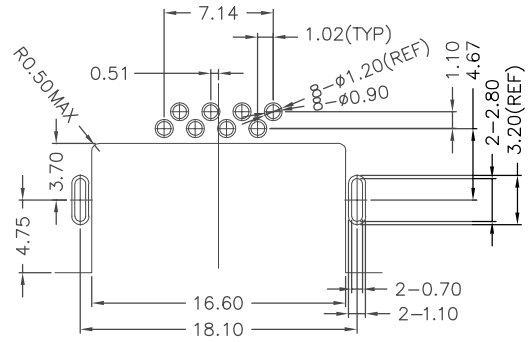
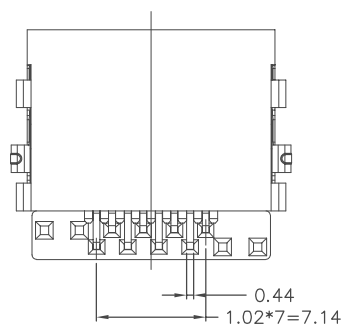
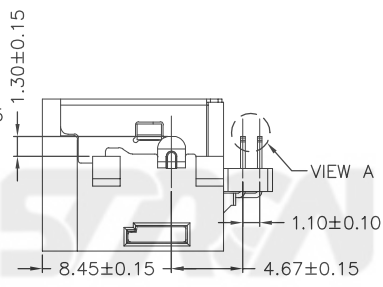
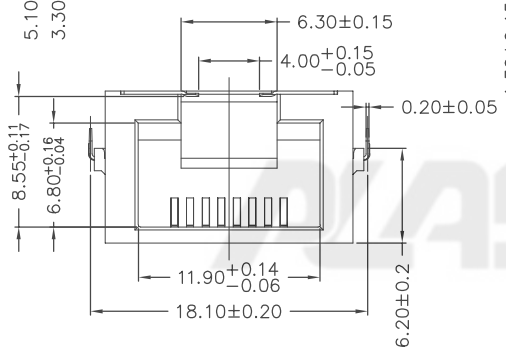
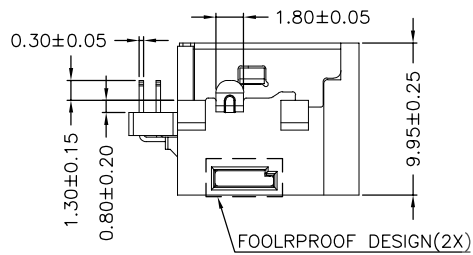
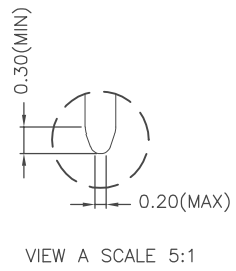
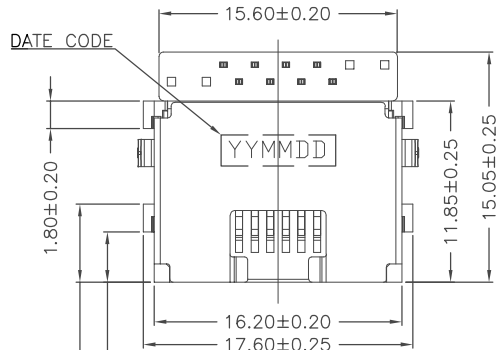


A B C D E

| 版次 | ECN 编码     | 描述   |    | 设计/日期          |
|----|------------|------|----|----------------|
| 1  | EL24050026 | 初版发行 |    | 杜照鹏_2024/05/15 |
|    |            | 改前   | 改后 |                |



NOTES: (Unless otherwise specified)

1. MATERIAL:

1-1. HOUSING: PA10T+35%GF(VICNYL R635NH);UL 94V-0  
COLOR: BLACK.

1-2. TERMINAL: PHOSPHOR BRONZE(C5210R-EH);T=0.30mm  
TREATMENT:  
GOLD FLASH ON CONTACT AREA, MATTE TIN 80u" MIN  
ON SOLDER TAIL, ALL OVER NICKEL 30u" MIN.

1-3. SHELL: SUS(201);T=0.20mm, TREATMENT: 50u" NICKEL.

1-4. STOPPLE: LCP+30%GF;UL94V-0, COLOR: BLACK.

1-5. DEFEND: LCP+30%GF;UL94V-0, COLOR: BLACK.

2. SPECIFICATIONS:

2-1. VOLTAGE RATING: 150VAC MAX.

2-2. CORRENT RATING: 1.5AMP MAX.

2-3. INSULATION RESISTANCE: 500mΩ MIN. AT 500V DC.

2-4. DIELECTRIC WITHSTANDING VOLTAGE:  
500V AC 60HZ 1MINUTE.

2-5. DURABIY: 5000 CYCLES.

2-6. OPERATING TEMPERATURE : -30°C TO +70°C.

2-7. FOR REFLOW SOLDERING LEAD-FREE RPOCESS.

2-8. THIS PRODUCT CAN PREVENT FUNCTIONAL FAILURE  
AFTER RJ11 INSERT.

JABCAADWBAK

A:RJ45  
A:8P8C  
W:PCB To Top  
Height:6.2mm

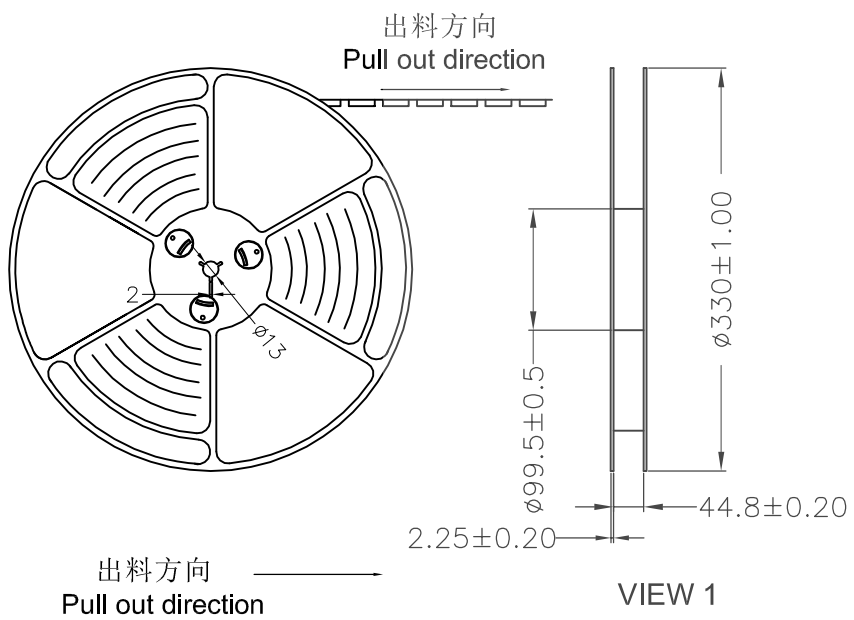
K:Reel  
A:Gold Flash  
B:Gold Plating



| TOLERANCE TABLE | SCALE 2.5:1 |          | DRAWN   | 杜照鹏 | DATE | 2024/05/15 | DWG. NO.    | 600-0000-2435    | TITLE | REV. |
|-----------------|-------------|----------|---------|-----|------|------------|-------------|------------------|-------|------|
|                 | X. ± 0.30   | X.° ± 3° |         |     |      |            |             |                  |       |      |
|                 | .X ± 0.25   | .X° ± 2° | APPROVE | 朱宁静 | DATE | 2024/05/15 | JABCAADWBAK | H=6.2mm          | SHEET |      |
|                 | .XX ± 0.20  |          |         |     |      |            |             | CUSTOMER DRAWING | 1/3   |      |

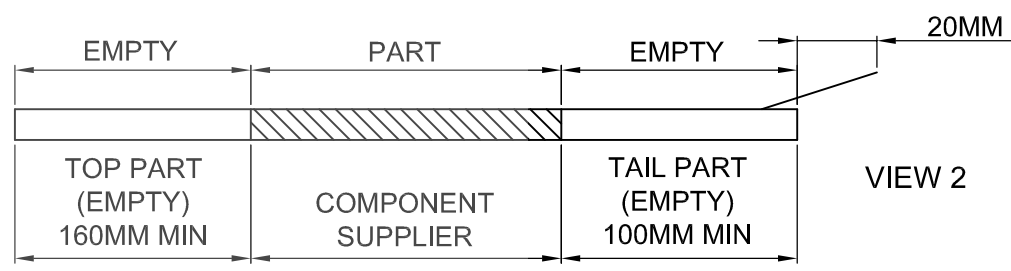
A B C D E

A B C D E

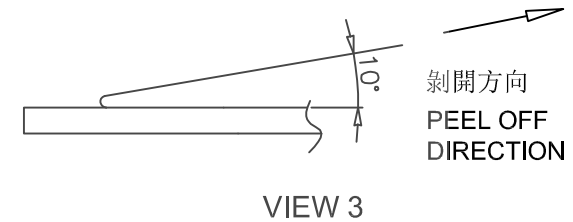
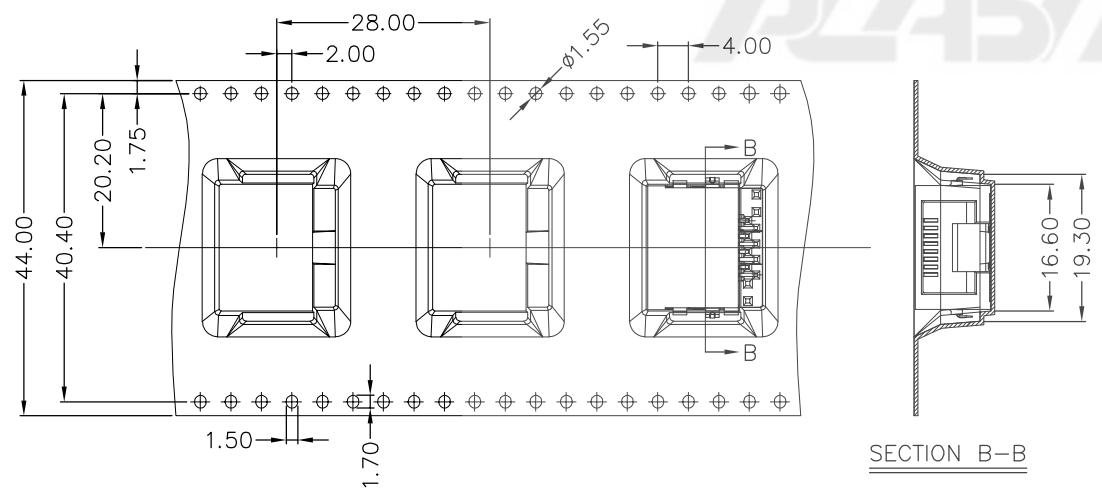


备注 (NOTES):

- 带子引导长度  
Lead tape length
- 转绕方向  
Pull out direction



- 上带剥拉力为: 0.2~1.3N(20gf~130gf)  
Peeling off force of top tape :0.2~1.3N(20gf~130gf)
- 出货运输过程中一定注意: 卷带在运输过程中不能散开  
This requirement should be applied at shipment:  
The reel tape can not be separated during transportation.



|  |                 |          |           |             |                 |                        |  |                                    |
|--|-----------------|----------|-----------|-------------|-----------------|------------------------|--|------------------------------------|
|  | TOLERANCE TABLE |          | SCALE 1:1 | DRAWN 杜照鹏   | DATE 2024/05/15 | DWG. NO. 600-0000-2435 | TITLE RJ45 R/A RVS 8P8C H=6.2mm CUSTOMER DRAWING | REV. 1                             |
|  | X. ± 0.30       | X.° ± 3° | UNIT mm   | CHECK 李晨涛   | DATE 2024/05/15 |                        |  | PARTS NO.(INTENDED USE) JABCAADWBK |
|  | .X ± 0.25       | .X° ± 2° | SIZE A4   | APPROVE 朱宁静 | DATE 2024/05/15 |                        |  |                                    |
|  | .XX ± 0.20      |          |           |             |                 |                        |  |                                    |

A B C D E

A

B

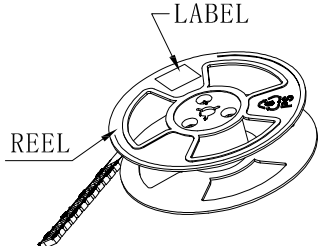
C

D

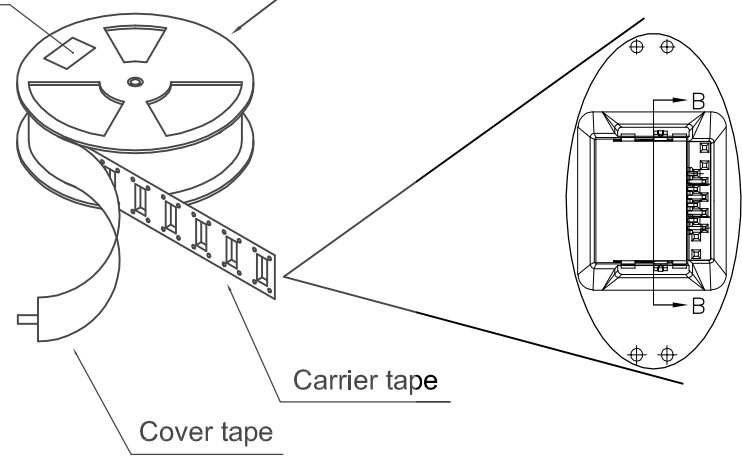
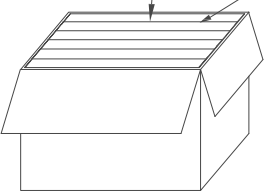
E

标签黏贴处(朝卷装包材的小定位孔一侧)  
Location of label sticking (label at small positioning hole of the carrier tape side)

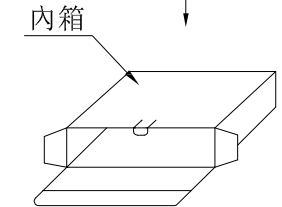
REEL



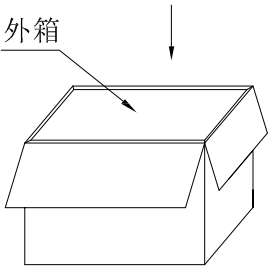
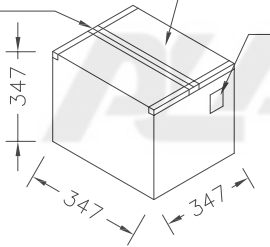
内箱竖放  
TOTAL 6 LAYERS



VIEW 5



TRANSPARENT GLUE TEPE  
CARTON  
LABEL



VIEW 4

备注 (NOTES):

- 1. 每卷包装数量及每箱装箱数量如下表格。  
Packing Q'ty of each reel & carton as below table shown.
- 2. 上胶带覆盖下包装带用自粘包装。  
Use cover tape to cover and seal up.
- 3. 将装满产品的卷盘放入纸箱并以胶带封口。  
Put reels in the carton and use adhesive tape to seal up.

| 产品料号<br>(Product No.) | 包装数量 (Packing Quantity) |              |            |
|-----------------------|-------------------------|--------------|------------|
|                       | PCS/REEL                | REELS/CARTON | PCS/CARTON |
| JABCAADWBAK           | 200                     | 6            | 1200       |



| TOLERANCE TABLE |          |
|-----------------|----------|
| X. ± 0.30       | X.° ± 3° |
| .X ± 0.25       | .X° ± 2° |
| .XX ± 0.20      |          |

|       |     |
|-------|-----|
| SCALE | 1:1 |
| UNIT  | mm  |
| SIZE  | A4  |

|         |     |
|---------|-----|
| DRAWN   | 杜照鹏 |
| CHECK   | 李晨涛 |
| APPROVE | 朱宁静 |

|      |            |
|------|------------|
| DATE | 2024/05/15 |
| DATE | 2024/05/15 |
| DATE | 2024/05/15 |

|                         |               |
|-------------------------|---------------|
| DWG. NO.                | 600-0000-2435 |
| PARTS NO.(INTENDED USE) | JABCAADWBAK   |

|       |  |
|-------|--|
| TITLE | RJ45 R/A RVS 8P8C<br>H=6.2mm<br>CUSTOMER DRAWING |
|-------|--|

|       |     |
|-------|-----|
| REV.  | 1   |
| SHEET | 3/3 |

A

B

C

D

E